



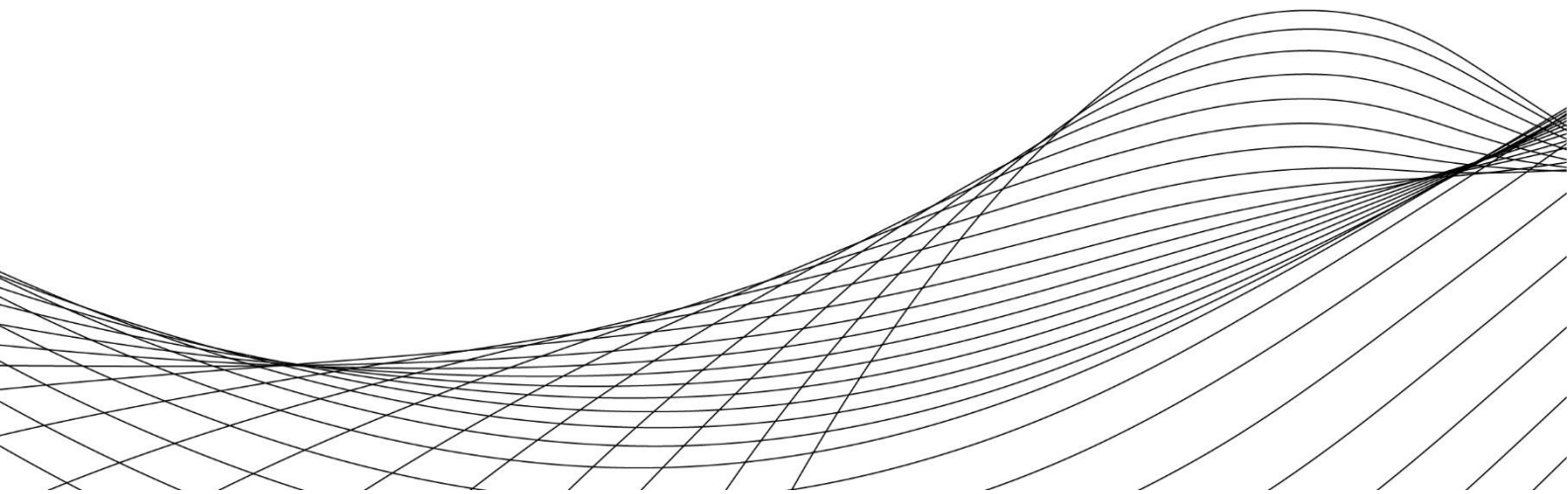
2MP DUAL LIGHT FHD CAMERA

PLC-322P-AU-DL3/PM

www.pollo.net.au

info@pollo.net.au

Sensor	Min. illumination	BLC	Full-Color	Auto WB	Sync	AGC	IP67

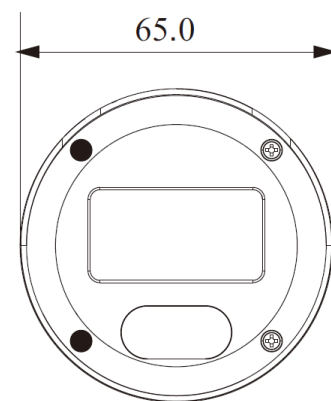
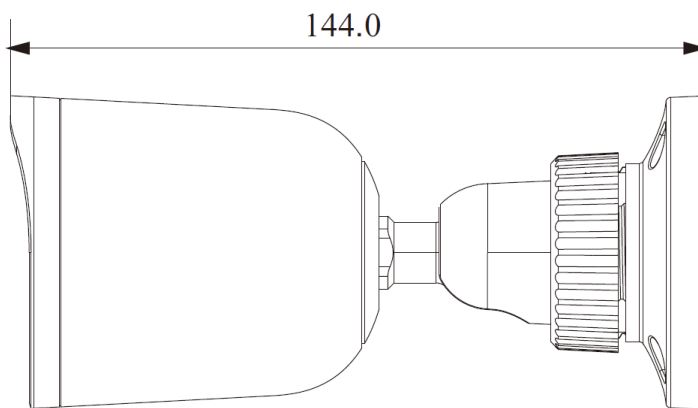




Key Features:

- ✔ 1080P real-time image, high resolution, true color
- ✔ AHD / TVI / CVI standard and lossless video output
- ✔ CMOS progressive scan, perfectly capturing the moving object
- ✔ Support OSD menu
- ✔ High speed, long distance and real time transmission
- ✔ 10 ~ 20m IR view distance; up to 20m white light view distance
- ✔ IP67 Ingress Protection
- ✔ Support COC
- ✔ Support coaxial audio transmission (only valid in TVI signal mode)
- ✔ Support 960H CVBS output

Dimensions:



Specifications:

Model	PLC-322P-AU-DL2/PM
Image Sensor	1 / 3 "CMOS
Resolution	2MP
Image Size	1920 x 1080
Video Output	AHD / TVI /CVI/CVBS
Audio	1CH built-in MIC
Image System	PAL / NTSC
Electronic Shutter	Auto; 1 / 50s ~ 1 / 100000s (PAL); 1 / 60s ~ 1 / 100000s (NTSC)
View Distance	IR range: 10 ~20 m; White light range: 10 ~20 m
Frame Rate	TVI:2MP@25/30fps AHD:2MP@25/30fps CVI:2MP@25/30fps CVBS:PAL/NSTC
Min. Illumination	0.005lux F1.2, AGC ON; 0 lux (LED ON)
Lens	2.8 mm
Lens Mount	M12
S / N Ratio	≥52dB (AGC OFF)
Ingress Protection	IP 67
Function	Control OSD (COC Control)
Day & Night	ICR
Digital WDR	Yes
Digital NR	Yes
AGC	Yes
Auto White Balance	Yes
BLC	Yes
Contrast	Yes
Saturation/Color Gain	Yes
Sharpness	Yes
Coaxial audio	Yes
Image Setting	Yes
Defect Correction	Auto
Language	English and Chinese
Angle Adjustment	Pan: 0°~360°; Tilt: 0°~80°; Rotation: 0°~360°
Power Supply	DC12V (± 10%)
Power Consumption	LED OFF: < 1W; LED ON: < 3W
Working Environment	-30°C~50°C, 10%~90% (relative humidity)
Dimensions (mm)	Φ 65 x 144
Weight (Net) Approx.	0.15KG