



## 2MP DUAL LIGHT FHD BULLET CAMERA

# PLC-322P-AU-DL3/PM

[www.pollo.net.au](http://www.pollo.net.au)

[info@pollo.net.au](mailto:info@pollo.net.au)



Sensor



Min.  
illumination



BLC



Full-Color



Auto WB



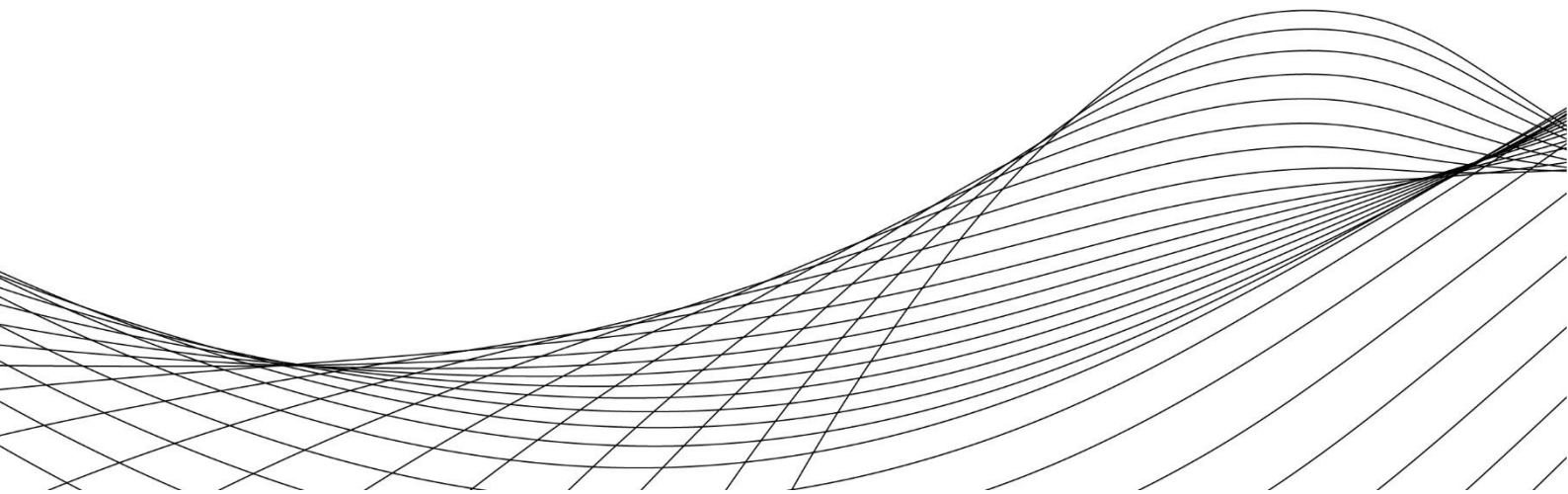
Sync



AGC



IP67

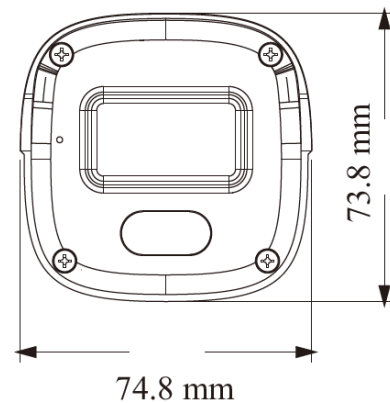
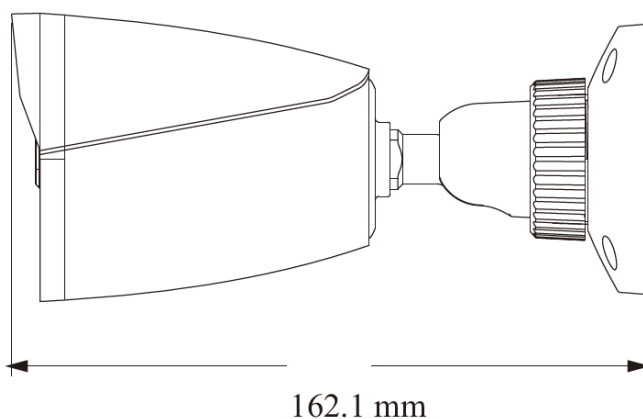




## Key Features:

- ❖ 1080P real-time image, high resolution, true color
- ❖ AHD / TVI / CVI standard and lossless video output
- ❖ CMOS progressive scan, perfectly capturing the moving object
- ❖ Support OSD menu
- ❖ High speed, long distance and real time transmission
- ❖ 20 ~ 30m IR view distance; up to 30m white light view distance
- ❖ IP67 Ingress Protection
- ❖ Support COC
- ❖ Support coaxial audio transmission (Temporarily only valid in TVI signal mode)
- ❖ Support 960H CVBS output mode)

## Dimensions:



## Specifications:

<b>Model</b>	<b>PLC-322P-AU-DL3/PM</b>
<b>Image Sensor</b>	1 / 3 "CMOS
<b>Resolution</b>	2MP
<b>Image Size</b>	1920 × 1080
<b>Video Output</b>	AHD / TVI /CVI/CVBS
<b>Audio</b>	1CH built-in MIC
<b>Image System</b>	PAL / NTSC
<b>Electronic Shutter</b>	Auto
<b>View Distance</b>	IR range: 20 ~30 m; White light range: up to 30m
<b>Frame Rate</b>	TVI:2MP@25/30fps AHD:2MP@25/30fps CVI:2MP@25/30fps CVBS:PAL/NSTC
<b>Min. Illumination</b>	0.005lux @F1.2, AGC ON; 0 lux ( LED ON)
<b>Lens</b>	2.8 mm
<b>Lens Mount</b>	M12
<b>S / N Ratio</b>	≥52dB ( AGC OFF )
<b>Ingress Protection</b>	IP 67
<b>Function Control</b>	OSD ( COC Control )
<b>Digital WDR</b>	Yes
<b>Digital NR</b>	Yes, 2D DNR (3D, only used with Pollo'S DVRs)
<b>AGC</b>	Yes
<b>Auto White Balance</b>	Yes
<b>BLC</b>	Yes
<b>Contrast</b>	Yes
<b>Saturation/Color Gain</b>	Yes
<b>Sharpness</b>	Yes
<b>Coaxial audio</b>	Yes
<b>Image Setting</b>	Yes
<b>Defect Correction</b>	Auto
<b>Language</b>	Chinese and English
<b>Angle Adjustment</b>	Pan: 0°~360°; Tilt: 0°~80°; Rotation: 0°~360°
<b>Power Supply</b>	DC12V ( ± 10% )
<b>Power Consumption</b>	LED OFF : < 1W; LED ON : < 4W
<b>Working Environment</b>	-10°C~40°C, 10%~90% (relative humidity)
<b>Dimensions ( mm )</b>	162.1×74.8×73.8
<b>Weight (Net)</b>	Approx. 0.25KG