

pöllö 
Prime Series

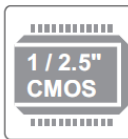


5MP FHD Camera

PLC-335P-AU-WR3/PM

www.pollo.net.au

info@pollo.net.au



Sensor



Min.
illumination



BLC



Full-Color



Auto WB



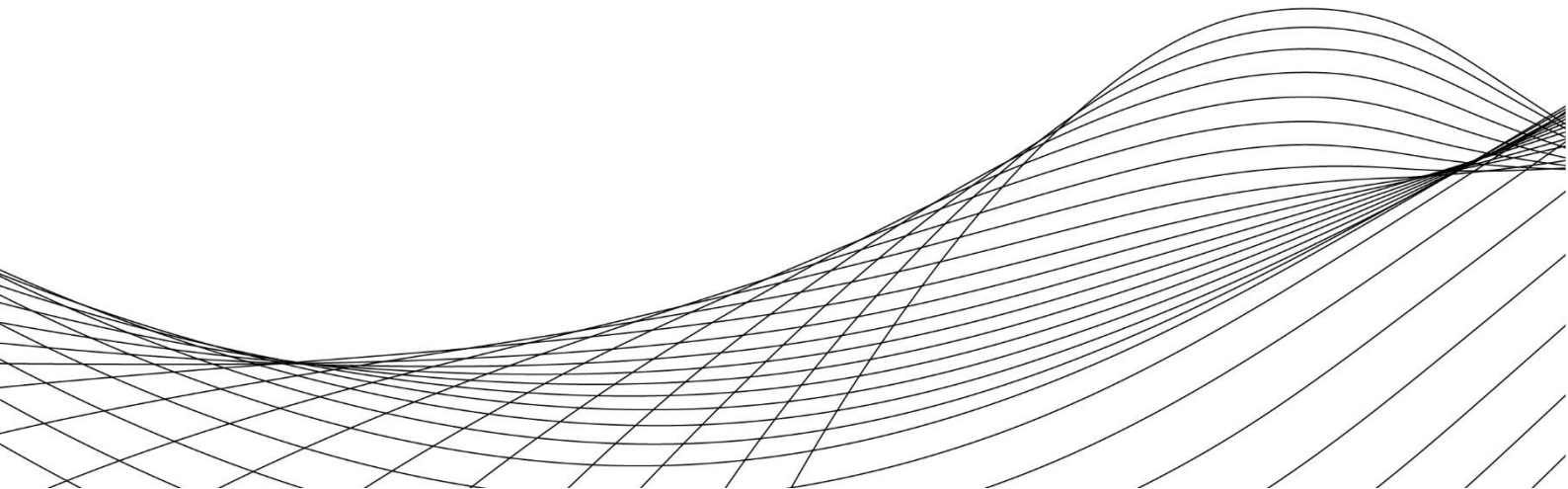
Sync



AGC



IP67

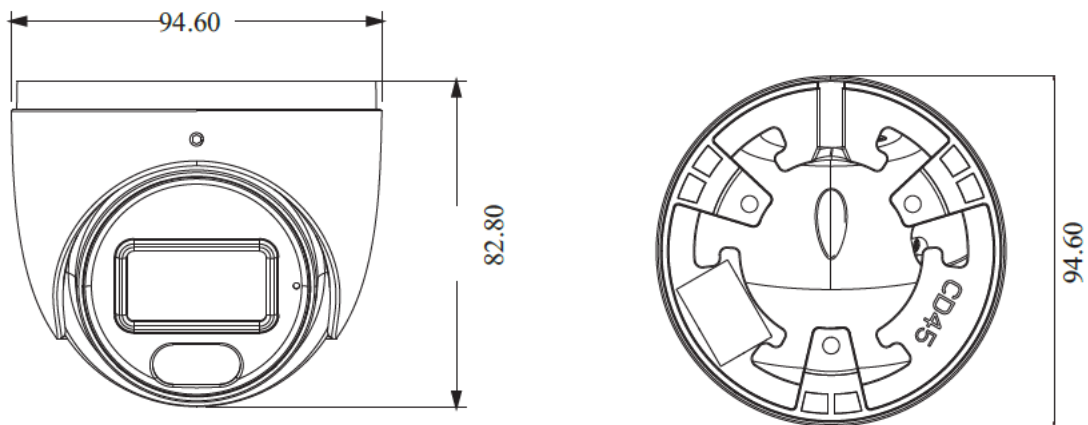




Key Features:

- ✔ 5MP@20fps/4MP real time image, high resolution, true colour.
- ✔ AHD / TVI / CVI standard and lossless video output
- ✔ CMOS progressive scan, perfectly capturing the moving object
- ✔ Support OSD menu
- ✔ Support DWDR
- ✔ High speed, long distance and real time transmission
- ✔ The LED can be automatically turned on at low illumination
- ✔ Support coaxial audio transmission
- ✔ 20 ~ 30m LED view distance
- ✔ IP67 ingress protection
- ✔ Support COC

Dimensions:



Specifications:



Model	PLC-335P-AU-WR3/PM
Image Sensor	1 / 2.5 "CMOS
Resolution	5MP
Image Size	2560 x 1936
Video Output	AHD / TVI / CVI
Image System	PAL / NTSC
Audio	Built in Mic
Electronic Shutter	Auto; 1/50s~1/000000s(P); 1/60s~1/100000s(N)
IR Distance	20 ~30 m
Frame Rate	5MP@20fps/4MP@30fps
Min. Illumination	0 lux with LED ON
Lens	3.6 mm
Lens Mount	M12
S / N Ratio	≥52dB (AGC OFF)
Ingress Protection	IP 67
Function	OSD (COC Control)
Smart LED	Yes
Digital WDR	Yes
Digital NR	Yes, 2D DNR
Global Exposure	Yes
Central Exposure	Yes
AGC	Yes
Auto White Balance	Yes
BLC	Yes
Contrast	Yes
Sharpness	Yes
Image Setting	Yes
Defect Correction	Auto
Language	English
Angle Adjustment	Pan: 0°~360°; Tilt: 0°~80°; Rotation: 0°~360°
Power Supply	DC12V (± 10%)
Power Consumption	LED OFF: < 1.5 W; LED ON: < 3W
Working Environment	- 30 °C ~ 50 °C, 10 % ~ 90 % (relative humidity)
Dimensions (mm)	165.7 x 69 x 69
Weight (net)	Approx. 0.39KG